



WILLKI

# INSTALLATION GUIDE

# TABLE OF CONTENTS



01

Tools and Equipment Needed

02

Getting to Know the Willki Stone System

03

Estimation - Quantity of Panels Required

03

Preparation

04

Installation

- Starter strips
- Stone panels
- Corners
- Columns
- Openings

09

Accessories

- Sills
- Complementary products

11

Architectural Details

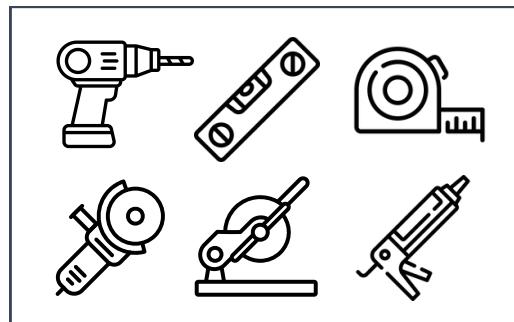


## Are you more of a visual learner?

Scan the QR code to watch our easy, step-by-step installation videos and see how simple it is to install Willki stone like a pro.

### Tools needed

- Drill
- Level or laser level
- Measuring tape
- Hand grinder with continuous concrete blade
- 10" sliding compound miter saw with a segmented diamond blade or circular saw with a masonry blade
- Exterior clear silicone caulk



### Safety equipment

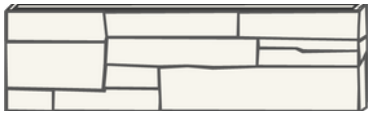
- Safety boots
- Hard hat
- Safety goggles
- Gloves
- Ear protection
- Respiratory protection mask





# Getting to know the Willki stone system

Willki's innovative architectural stone panels are designed for quick and secure installation—indoors or out. Made in Canada with lightweight concrete containing over 70% recycled materials, they offer an eco-friendly and durable solution. Thanks to the EziKi anchor key system, each panel creates a built-in 0.5-inch air space for optimal ventilation and moisture management—no need for furring strips. With reversible panels and integrated corners, Willki is the smarter, faster, and more efficient way to build with stone.



### **WILLKI STONE PANEL:**

32 in x 9 in x 2 in (covers 2 sq.ft)

Available in 2 unique collections, the Willki stone panels are reversible and do not require additional corner pieces.



### **EziKi ANCHOR KEYS:**

Installs on top of the panels (2 units per panel) in order to fix them onto the substrate and to support the row above. Included with stone panels.



### **STARTER STRIP:**

96 in x 11/8 in x 1 1/2 in

Galvanized steel strip required for installing the first row of panels.



### **TRANSITION SILL:**

32 in x 2 in x 3 1/4 in

Facilitates the transition between the stone wall and another siding of choice.



### **WINDOW SILL:**

32 in x 2 in x 3 1/4 in

Allows a harmonious finish under the windows.



### **FINISHING TRIM:**

36 in x 2 in x 3 in

Offers a possibility to outline the openings such as doors and windows. Is also used to finish the sides of a facade installation.



### **ELECTRICAL BOX:**

8 in x 6 in x 1 1/2 in

Allows the installation of an electrical outlet or a switch.



### **LIGHT BOX:**

9 1/2 in x 7 1/2 in x 1 1/2 in

Allows the installation of a lamp.



### **UNIVERSAL BOXES:**

- 9 in x 9 in x 1 1/2 in (4 in opening)
- 12 in x 12 in x 1 1/2 in (6 in opening)

Used for a better finish around dryer outlets, vents, air intakes, and others.



### **SPACER:**

1/2 in #10

Creates a space behind the panel when it is screwed directly on the facade when installing the last row. Included with EziKi anchor keys.



### **SCREW:**

1 1/2 in #10 dactrotized finish

Universal screw used to secure EziKi anchor keys and starter strips. Included with EziKi anchor keys.



## ESTIMATION - Quantity of panels required

Determine the net wall area to be covered. To do so, multiply the length of the wall (in feet) by its height (in feet) (**Figure 1**). Subtract the area of windows, doors, and any other areas that won't be covered. You are now left with the net wall area.

For gables, multiply the base width (B) by the height (H) and divide this result by 2 (**Figure 1**).

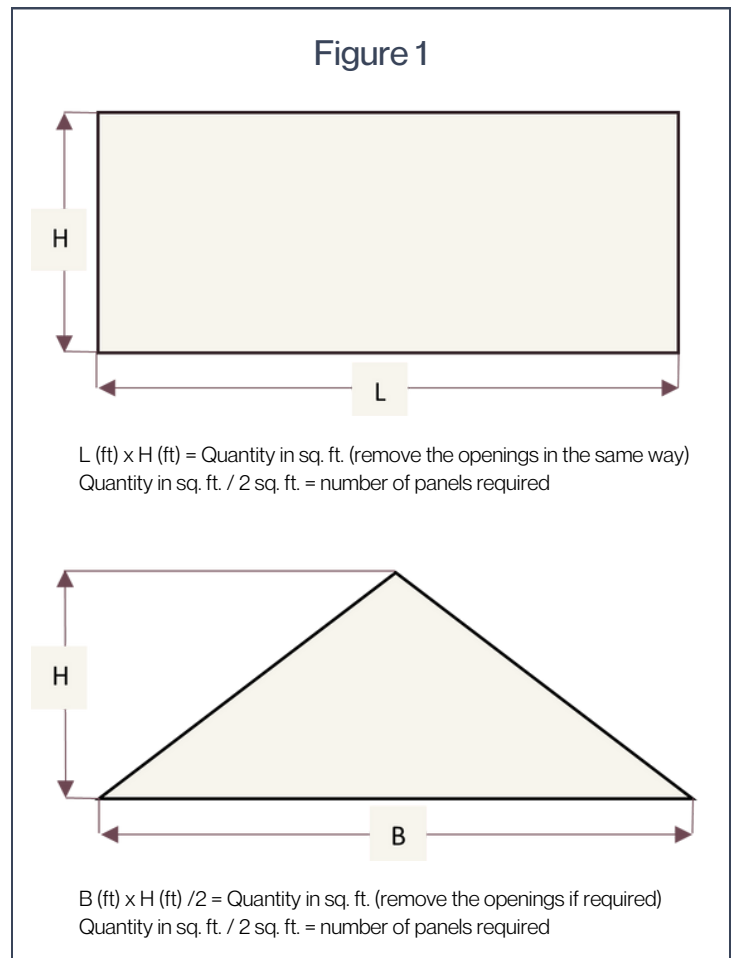
It is recommended to add **3%** to the calculated area to account for the loss for the entire project. One WILLKI panel covers 2 square feet.

### EziKi anchor keys

The anchor keys and the 1 ½ in. dacrotized wood screws are included in the packaging. The anchor keys create a built-in 0.5-inch (10 mm) air space for optimal ventilation and moisture management—no need for furring strips.

### Starter strips

The number of required starter strips is equal to the length measured at the bottom of the wall (in feet) rounded up to the next 8 feet section. If the installation is also done above openings (windows, doors, garage door, etc.), the length of these openings must be added since a starter strip will be required above them.



## PREPARATION

### Weather resistant barrier (WRB)

At a minimum, a water-resistant weather barrier (WRB) membrane meeting the requirements of ASTM E 2556/E 2556M must be installed on the structure that will accommodate the Willki panels.

### Determine and mark your starting point

A space from the ground level of at least 4 inches must be maintained if the ground is soil, and at least 2 inches if it is a solid surface such as pavement or concrete. Refer to your local building code to ensure compliance.

Willki stone panels can be installed both outdoors and indoors. For an interior installation, make sure to have a rigid surface screwed into the wall studs, such as a ½ inch plywood or 7/16 inch OSB to fix the anchor keys.



## INSTALLATION - Starter strips

It is very important that the starter strips are installed straight, using the appropriate screws. A spirit or laser level can be used.

To facilitate installation, it is suggested to position the top of the starter strip at 1-1/8" (1.125 in) higher than the bottom of the desired stone wall (**Figure 2**).

Use the screws provided in the stone packaging and respect a spacing of 8 inches when possible, or 16 inches when installing on wood or steel furring strips.

Figure 2



## INSTALLATION - Stone panels

The panels are installed from bottom to top. The panels fit on top of each other with the help of anchor keys. The panels must be staggered from one row to the next to avoid alignment of vertical joints. (**Figure 3**)

The anchor keys, provided in the packaging with the 1 1/2 (38 mm) wood screws, must be screwed straight and flat to the wall. The arrow embossed in the anchor key must point upwards.

For the **first two rows above the starter strip**, insert 2 screws in the holes provided for this purpose (**Figure 4**) by placing the horizontal screw (A) first, followed by the second screw at a 45-degree angle (B). For all the other rows, insert one screw (B) per anchor key in the angled hole provided for this purpose (**Figure 5**). Use two anchor keys in the top groove of each panel (**Figure 6**). A single anchor key can be used if the length of the panel in place is less than 10 inches (254 mm).

Make sure that the panels are well stacked on top of the anchor keys below to maintain level.

Figure 3

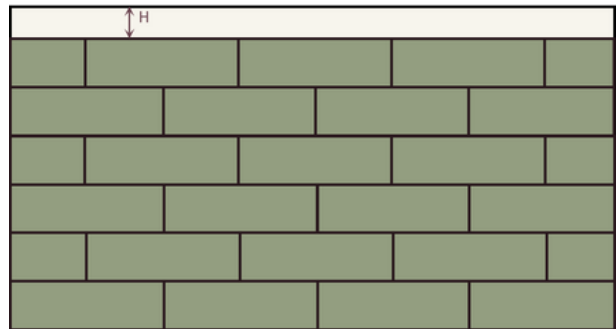


Figure 4



Figure 5



Figure 6



The panels are reversible; the top and bottom can be reversed to facilitate the use of textured ends and minimize loss.



# INSTALLATION - Stone panels

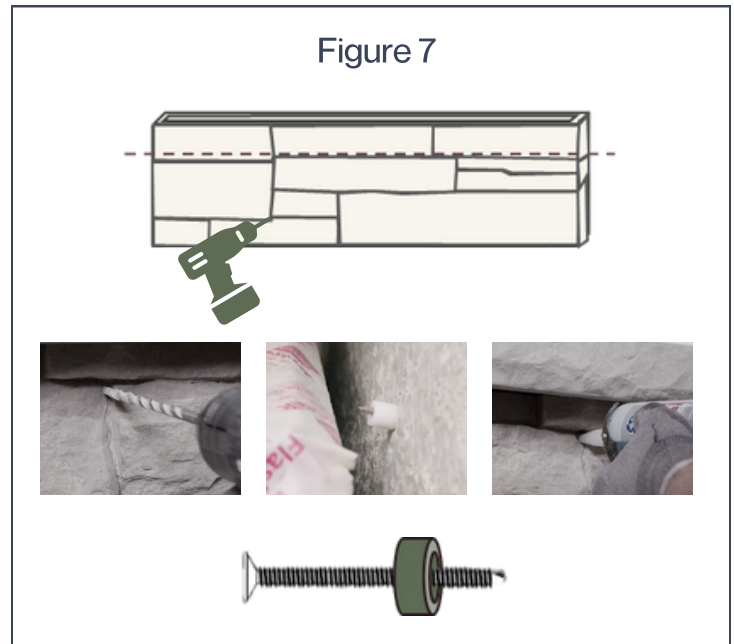
## Last row / Row below an opening

When installing the last row, you might need to cut the Willki panels lengthwise. Measure the remaining height between the top of the second-to-last row and the top of your installation (as shown in **Figure 3**) and then cut the panel.

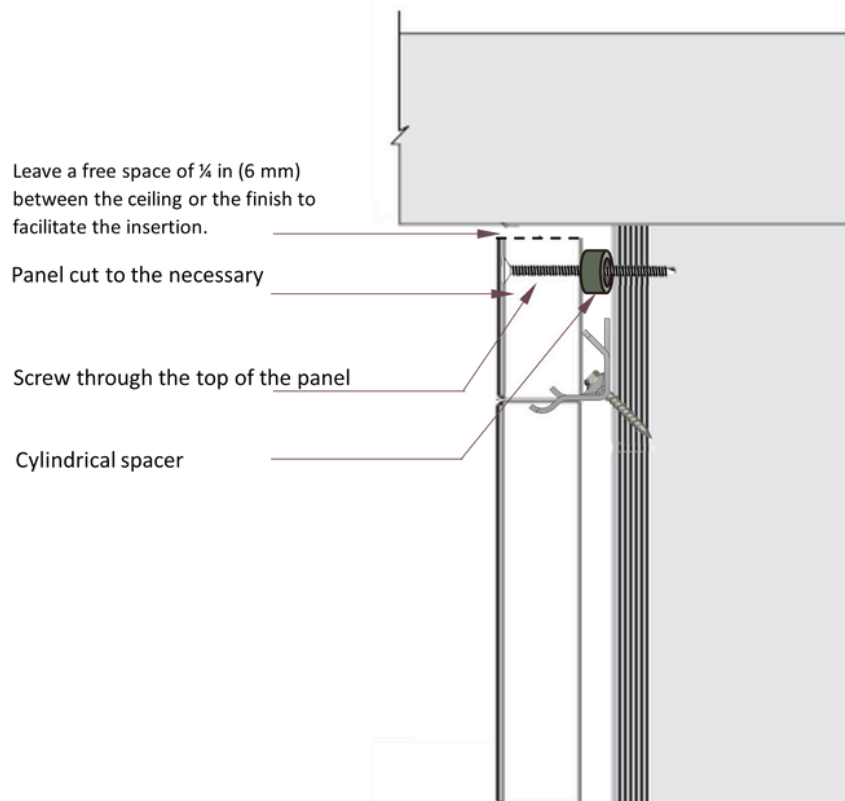
Drill the panel (**Figure 7**) into one of the stone joints.

Using a milling bit, create a slight bevel to properly conceal the screw head. Place the panel in position and drill using the cylindrical spacer provided in the anchor key packaging in order to maintain a space behind the panel.

Use 3 inch (75 mm) galvanized countersunk screws. To hide the screw heads, you can obtain the exact same colour of the stone by mixing cutting dust with some clear caulk. You can also use a coloured caulk that matches the colour of the stone.



## Section detail 1 – Installation of the last row





## INSTALLATION - Corners

First of all, apply waterproof/airproof elastomeric membrane directly on the weather-resistant barrier (WRB) on each side of the exterior or interior corner. The elastomeric membrane must cover a minimum of 4 in (100 mm) on each side of the corner.

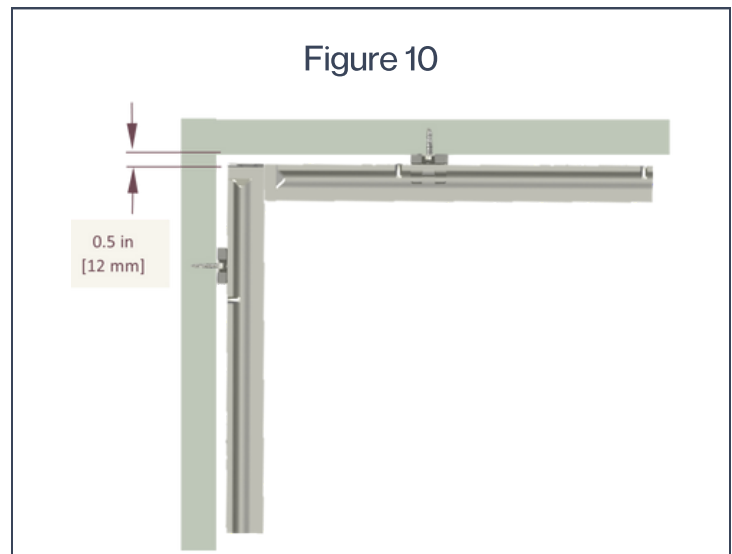
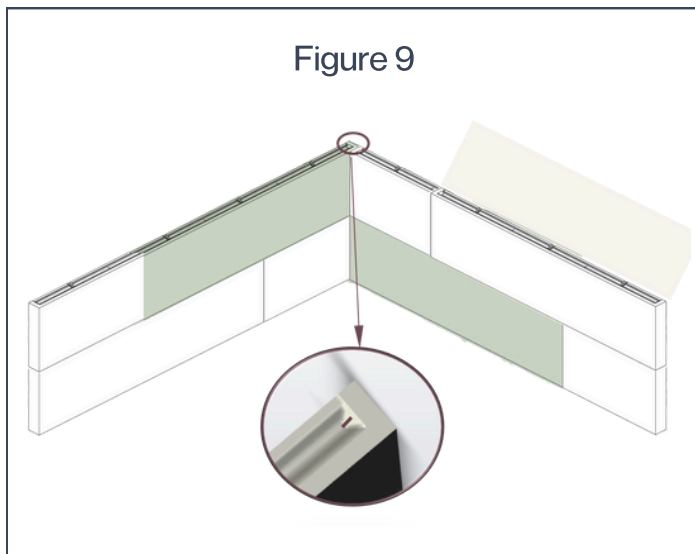
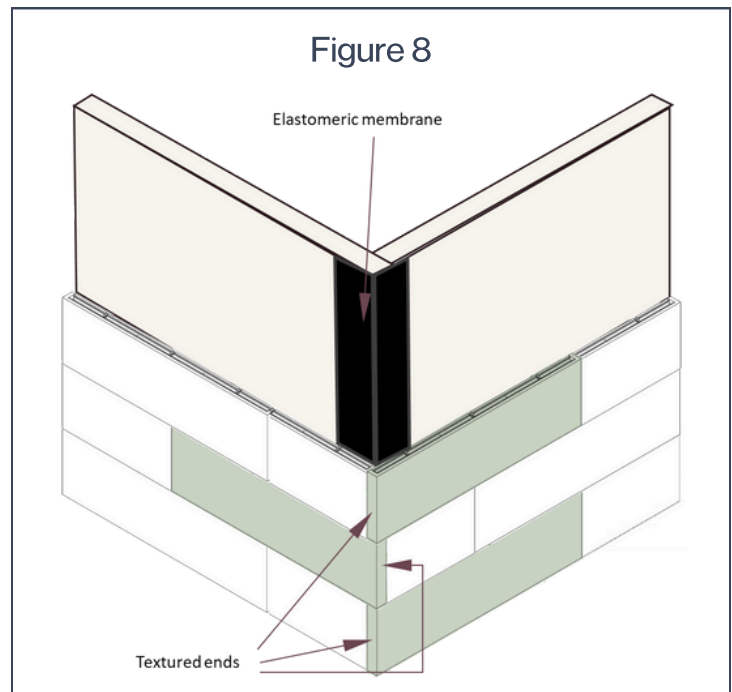
### Exterior corners (Figure 8)

The ends of the Willki panels are textured in order to replicate the appearance of a stone corner. All you need to do is juxtapose the panels as illustrated.

### Interior corners (Figure 9)

When creating an interior corner, it is recommended to use the interior panels specially marked with an I (Figure 9) in the end of the groove, in order to obtain an aesthetic and performant joint.

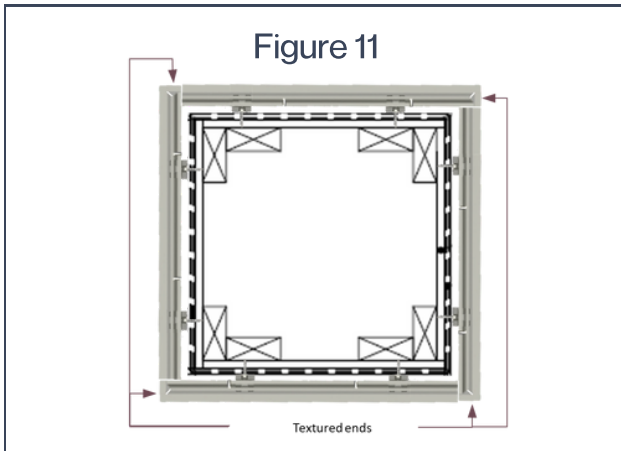
As shown in Figure 10, make sure to maintain a space of 1/2 in (12 mm) between the end of the back panel and the wall.





## INSTALLATION - Columns

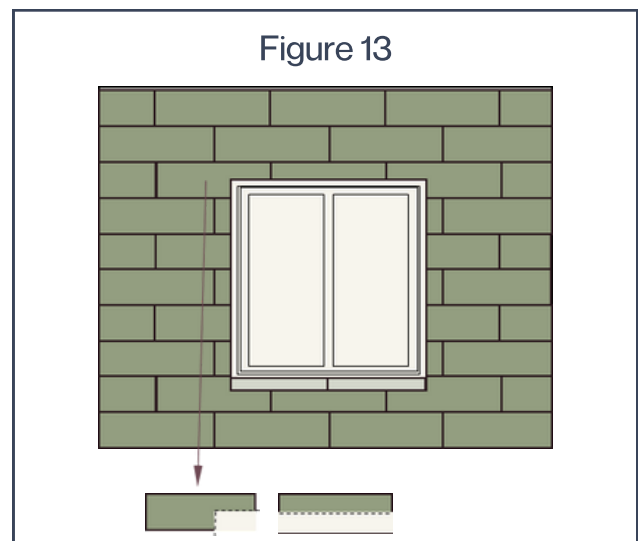
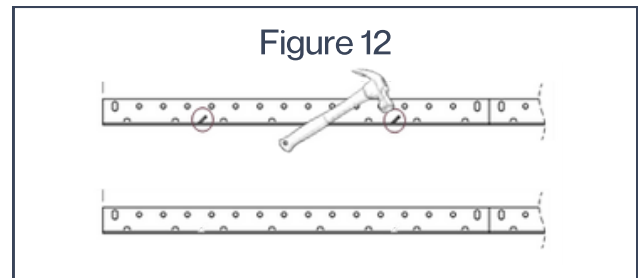
Willki panels are designed for easy installation on columns. Regardless of your column dimensions, start the installation at the base and use the textured ends of the panels to create the exposed corners. **(Figure 11)**



## INSTALLATION - Openings

If Willki panels are installed above an opening (door, window, etc.), you will need to install a starter strip above the opening to provide support for the bottom of the panels. **(Section Detail 2 - Window)**

- If the top of the panels arrive flush with the opening, no adjustment is needed.
- In the event that the top of the Willki panel does not coincide with the top of the adjacent panel **(Figure 13)**, cut the panel so that it has the required height. This will eliminate the groove on the cut part.
- Drill the panel and countersink the hole as discussed in the “Last row / Row under an opening” section.
- Crush the tabs of the starter strip **(Figure 12)** and place the panel on it.
- Screw the panel using the cylindrical spacer provided.
- Then secure the top of the panel using the anchor keys.
- Make sure that the position of the top of the panel corresponds to that of the adjacent panel.



### Section detail 2 – Window

Screw the anchor keys in the wood siding using the 1½ in (38 mm) screws provided in the packaging. (Install 2 anchor keys per panel)

Willki stone panel

Wood siding with minimum thickness of ½ in (12 mm)

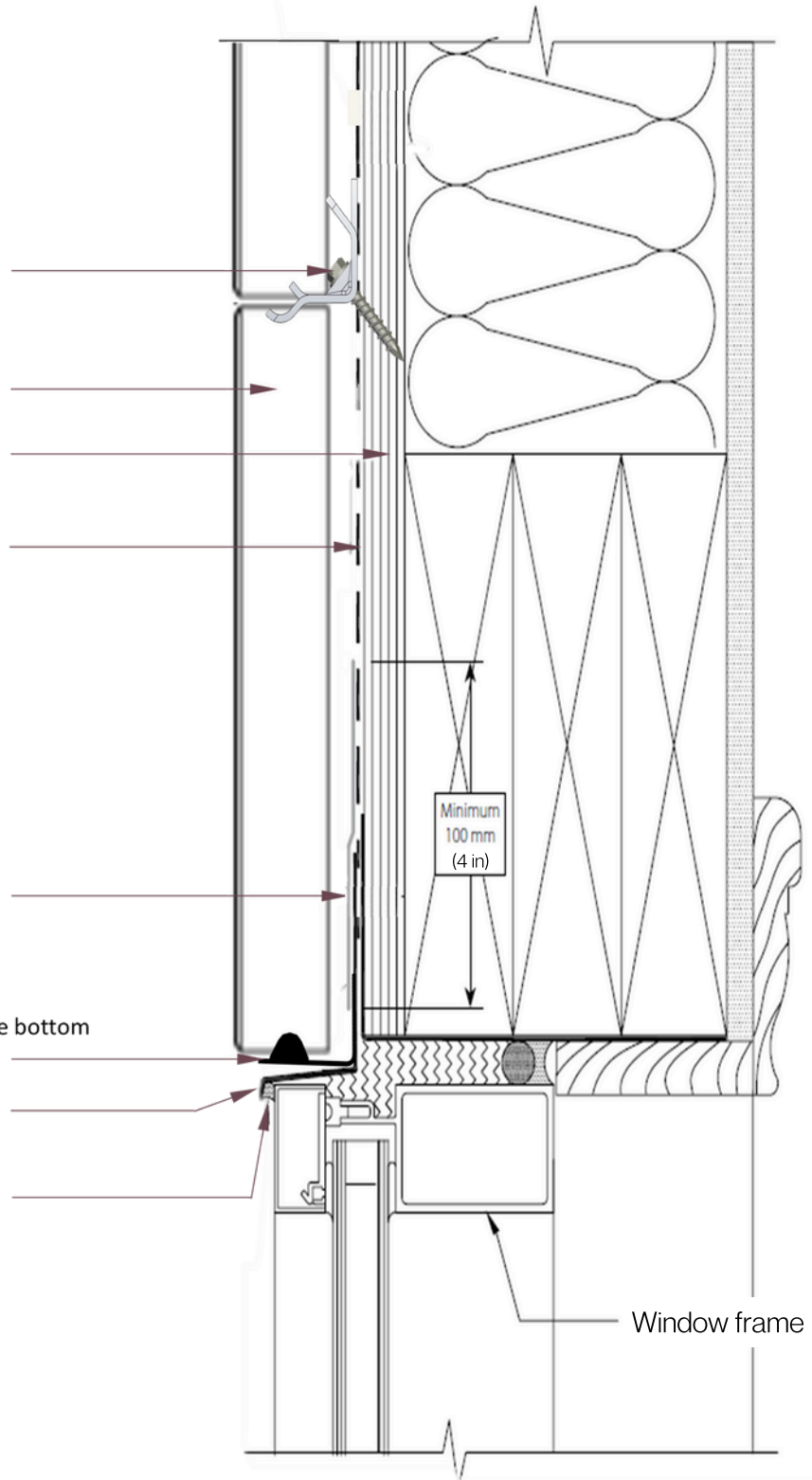
Weather-resistant barrier (WRB)

Waterproof and airproof elastomeric membrane minimum 4 in (100 mm)

Willki starter strip to be installed at the bottom of the flashing

Flashing with drip edge

Sealant under the flashing



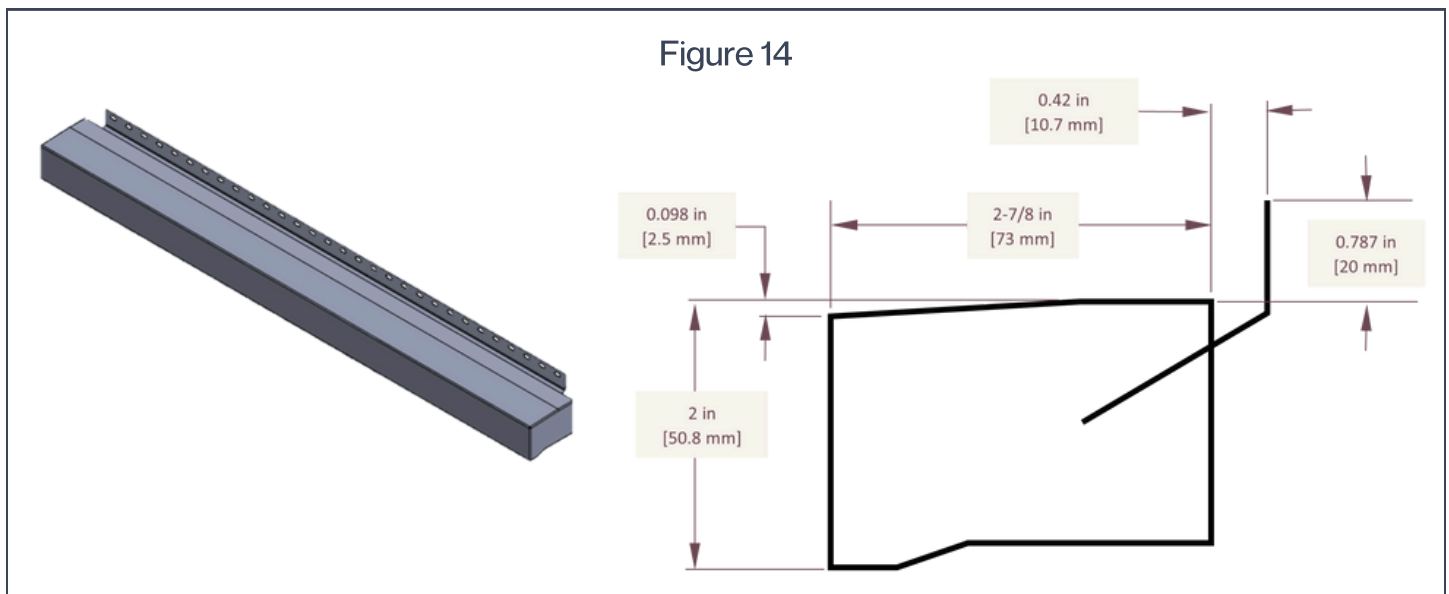


# ACCESSORIES

## INSTALLATION - Sills

Willki sills are designed to facilitate the installation and to offer the necessary waterproofing to your exterior walls. Their original shape allows for a slight slope to ensure the flow of water downwards and away from the wall. **(Figure 14).**

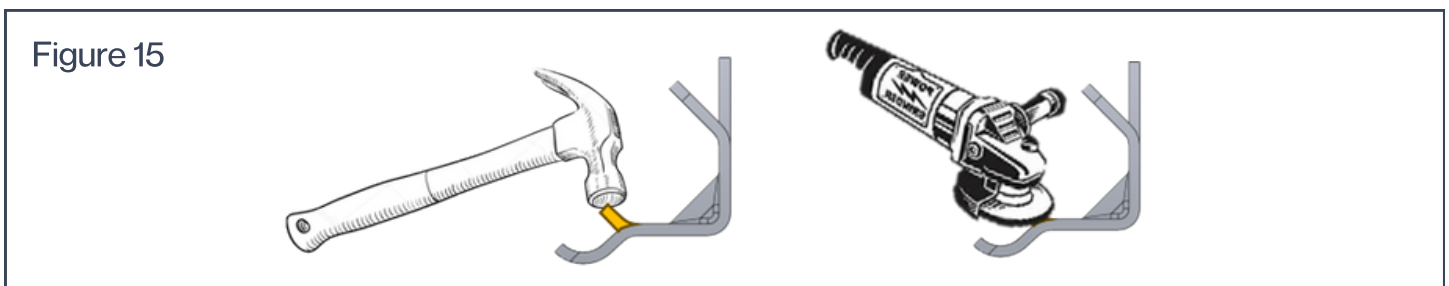
A metallic strip inlaid in the back of the sill allows the piece to be installed in harmony with the Willki panels.



### Transition sill

First of all, apply a waterproof and airproof elastomeric membrane above the transition sill. The membrane must cover the sill over a minimum width of 1 in (25 mm) and overlap the back of the wall with a minimum of 4 in (100 mm) (see **Section Detail 3 – Transition sill**).

Complete the installation of the panels up to the desired height. When installing the EziKi anchor keys on the last row of the panels, crush the middle tab down **(Figure 15)** or cut it. Place the sill in position on the last row of panels and screw it in place using 4 screws.



### Section detail 3 - Transition sill

Exterior siding of your choice: engineered wood, steel, vinyl, fiber cement, vertical,

Waterproof and airproof elastomeric membrane minimum 4 in (100 mm)

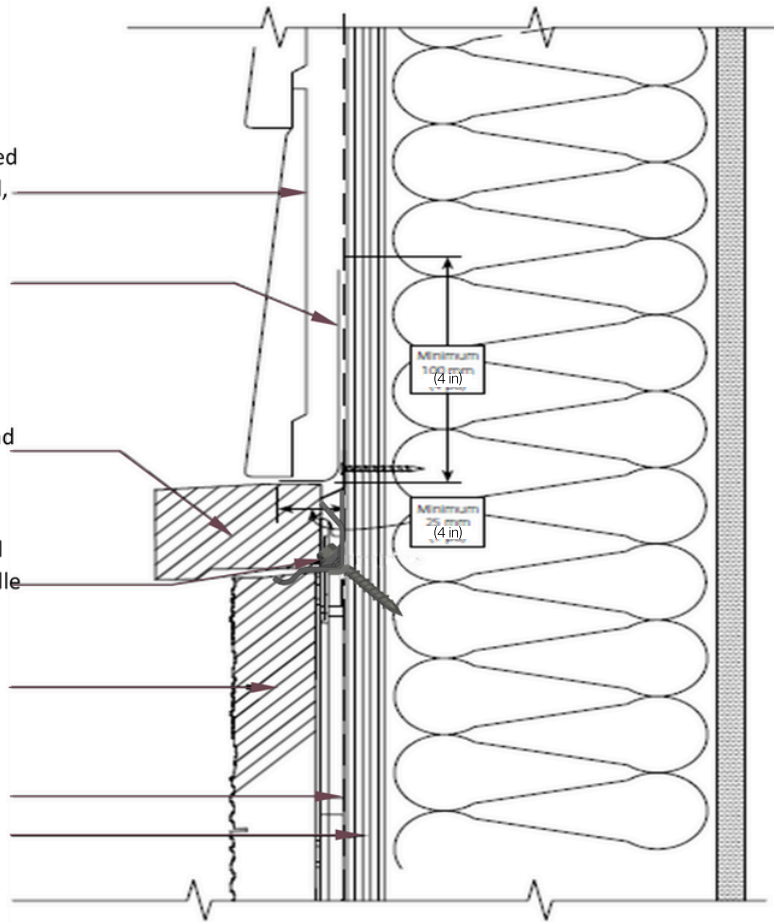
Willki transition sill affixed to a panel and anchor keys

Screw the anchor keys (2 per panel) and make sure to crush, fold or cut the middle tab pointing up.

Willki stone panel

Weather-resistant barrier (WRB)

Wood siding with minimum thickness of ½ in (12 mm)

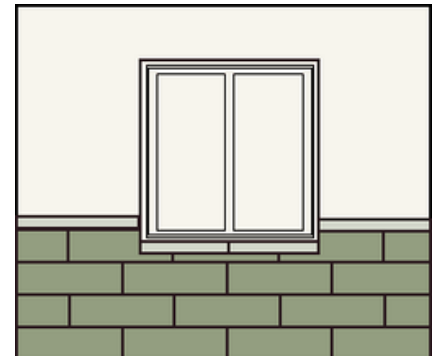
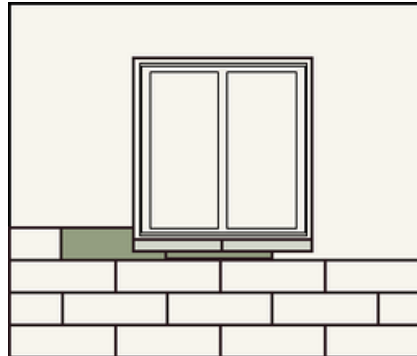
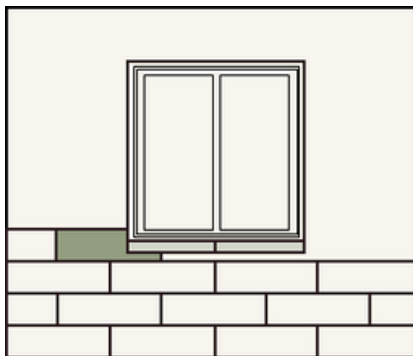


### Window sill

When the wall you are covering includes a window, we recommend to install the Willki window sills before installing the last row under the window (**Figure 16**).

To complete the installation of the last row, follow the procedure at the section “Last row / Row before an opening” at page 5.

Figure 16





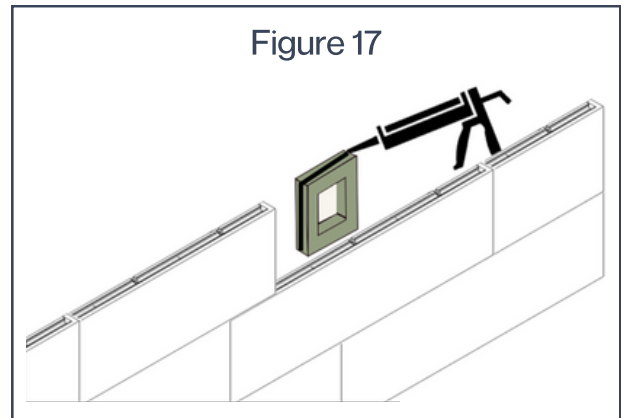
## Complementary products

Accessories can be bought with the Willki panels to provide a better finish.

Simply measure the positioning of the accessory, and cut the opening in the panel. It is recommended to make the opening slightly larger (approximately ¼ in – 6 mm).

Use a concrete grinder and a drill to create the opening when it is located at the center of a panel. Fix the panel as per usual. Use construction glue (such as PL) or clear silicone caulk to fix the plate in place. **(Figure 17)**

These accessories can also be used indoors.



## Architectural Details

### INSTALLATION - Finishing around windows and doors

