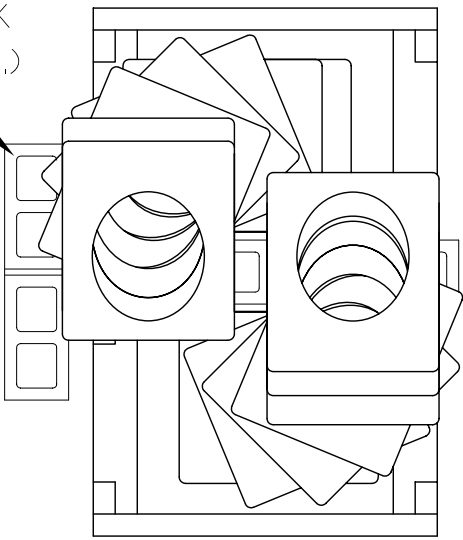
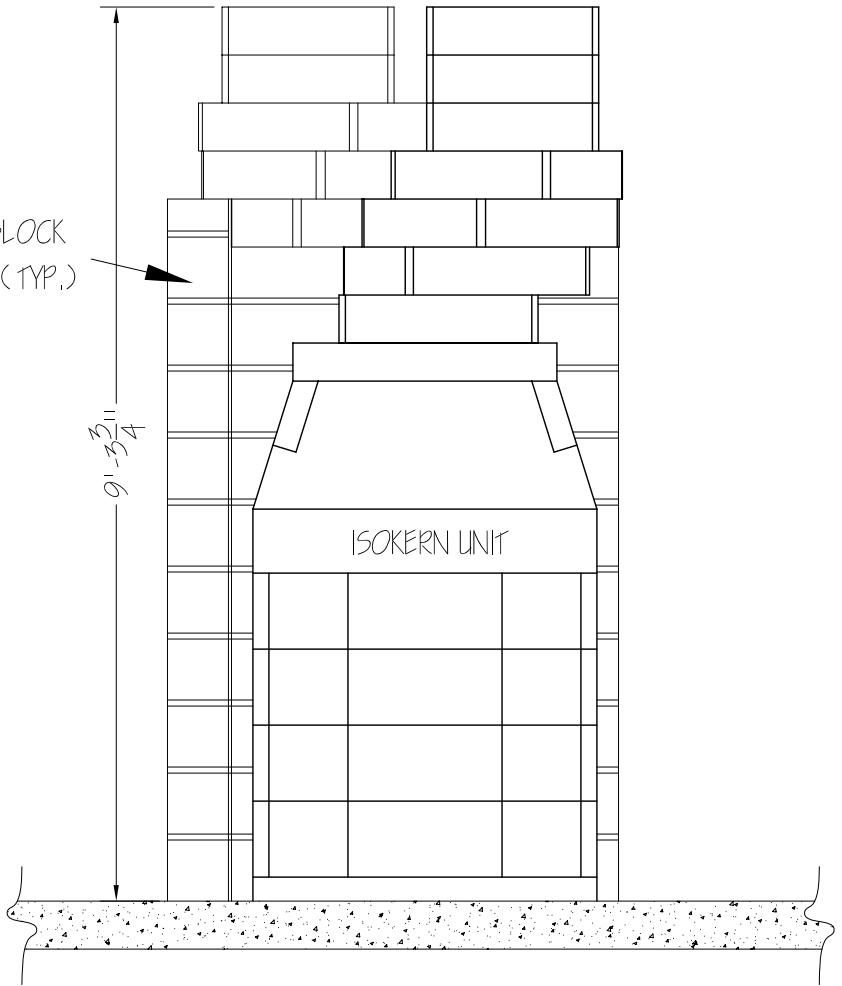


CMU BLOCK
WALL (TYP.)



CMU BLOCK
WALL (TYP.)



TITLE		
TWIN DM54 - PART 3		
DWG NUMBER	RELEASE DATE	REV DATE
7.13	01/01/07	