

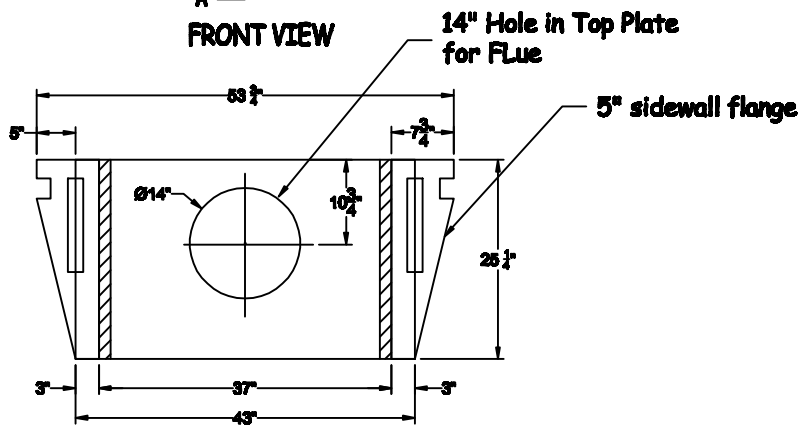
SECTION A-A

FRONT VIEW

4" x 4" x 38"  
Steel Angle  
Front and Back

Hint:  
Place some support under  
5" sidewall flange. (Both sides)  
non-combustible

PLAN, SECTION, and ELEVATION  
ISOKERN 36 SEE-THRU FIREPLACE



PLAN VIEW

14" Hole in Top Plate  
for FLue

5" sidewall flange



Fireplaces and Chimney Systems  
A PRODUCT OF EARTHCORE INDUSTRIES, LLC

6600 PHILLIPS INDUSTRIAL BLVD  
JACKSONVILLE, FLORIDA 32256  
TEL (904) 363-3417  
FAX (904) 363-3408  
www.earthcore.co

DWG. NO.	SCALE	REVISIONS	BY
ST2.1	1/2" = 1'-0"		
DESCRIPTION			
Standard 36-See Thru			
DATE	DB:		
09/01/2009	JMK		