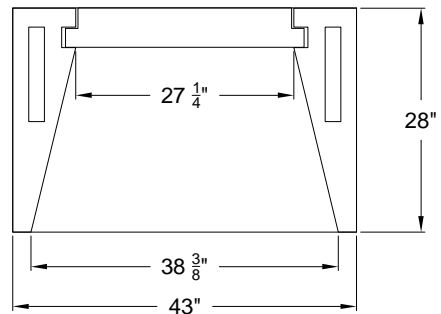


SECTION A-A

FRONT VIEW



PLAN VIEW

PLAN, SECTION and ELEVATION of ISOKERN 36 FIRE-LITE

SCALE: 1/2" = 1'-0"



Fireplaces and Chimney Systems
A PRODUCT OF EARTHCORE INDUSTRIES, LLC

6899 PHILLIPS INDUSTRIAL BLVD
JACKSONVILLE, FLORIDA 32256
TEL (904) 363-3417
FAX (904) 363-3408
www.isokern.net

DWG. NO.	SCALE
F1.2	1/2" = 1'-0"
DESCRIPTION	
Magnum 36 Fire-Lite	
DATE	DB:
01/25/2010	JMK

REVISIONS	BY