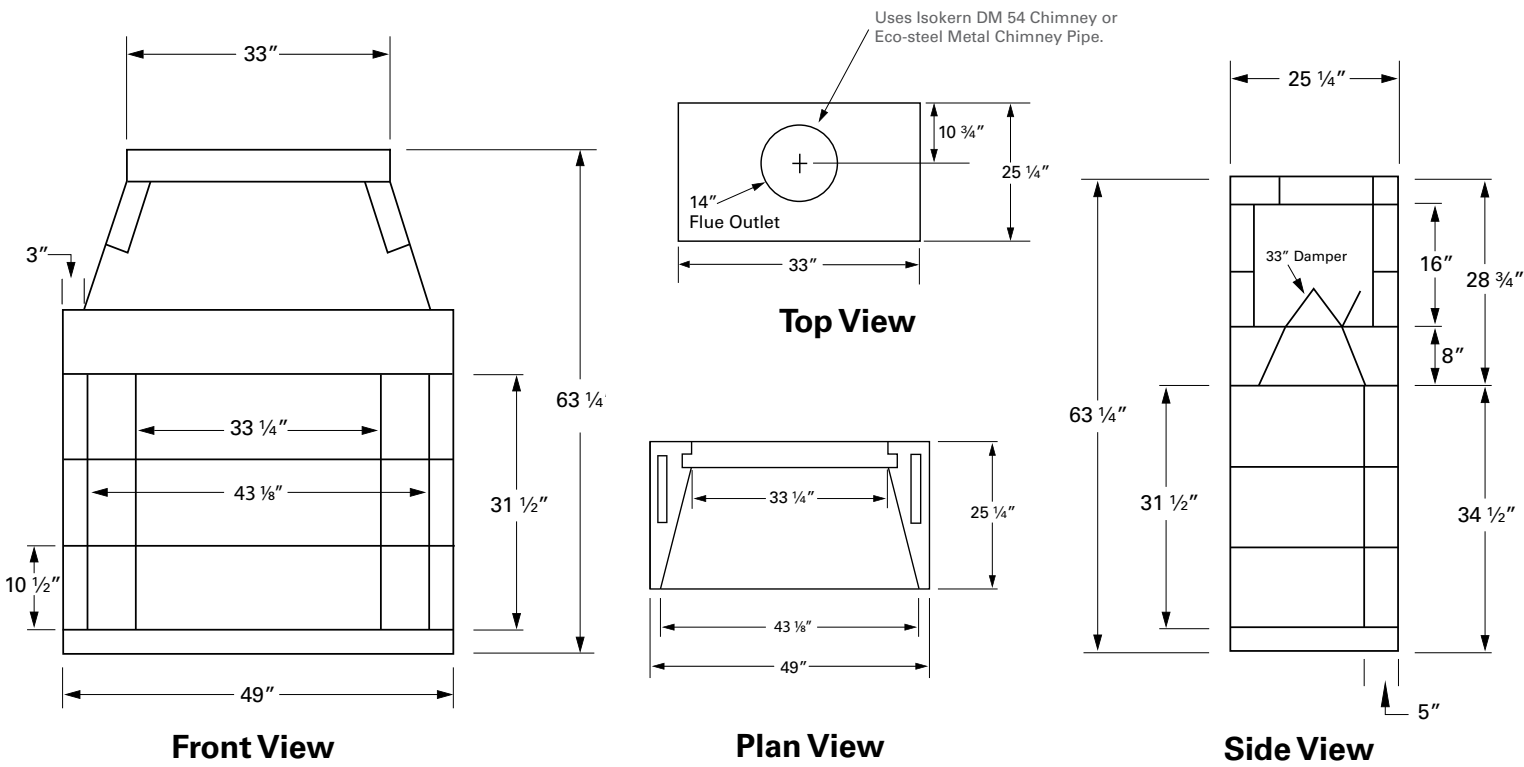


# Isokern Standard 42" Fireplace



6899 Phillips Industrial Blvd. • Jacksonville, FL 32256

Project Name: \_\_\_\_\_ Location: \_\_\_\_\_



**FIREPLACE OPTIONS**

Hearth Height: \_\_\_\_\_

Brick Type: \_\_\_\_\_

Brick Color: \_\_\_\_\_

Brick Pattern: \_\_\_\_\_

Damper: \_\_\_\_\_

Chimney Type: \_\_\_\_\_

Offset: \_\_\_\_\_

Other Options: \_\_\_\_\_

Spark Arrestor/Termination: \_\_\_\_\_

Energex RSHT Chimney Fan: \_\_\_\_\_

Decorative Termination: \_\_\_\_\_

Gas Log Set: \_\_\_\_\_

Wood Grate: \_\_\_\_\_

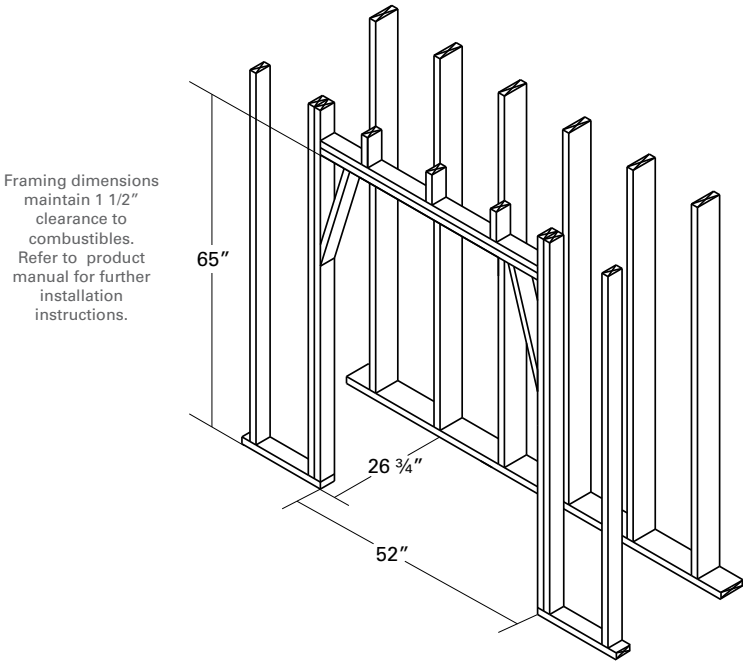
**Notes:** \_\_\_\_\_

\_\_\_\_\_

\_\_\_\_\_

\_\_\_\_\_

**MINIMUM FRAMING DIMENSIONS**



The total weight for the Standard 42" fireplace is approximately 1325 lbs. This dry weight includes fireplace pumice components only, additional weight from mortar, damper, firebrick and chimney not included.