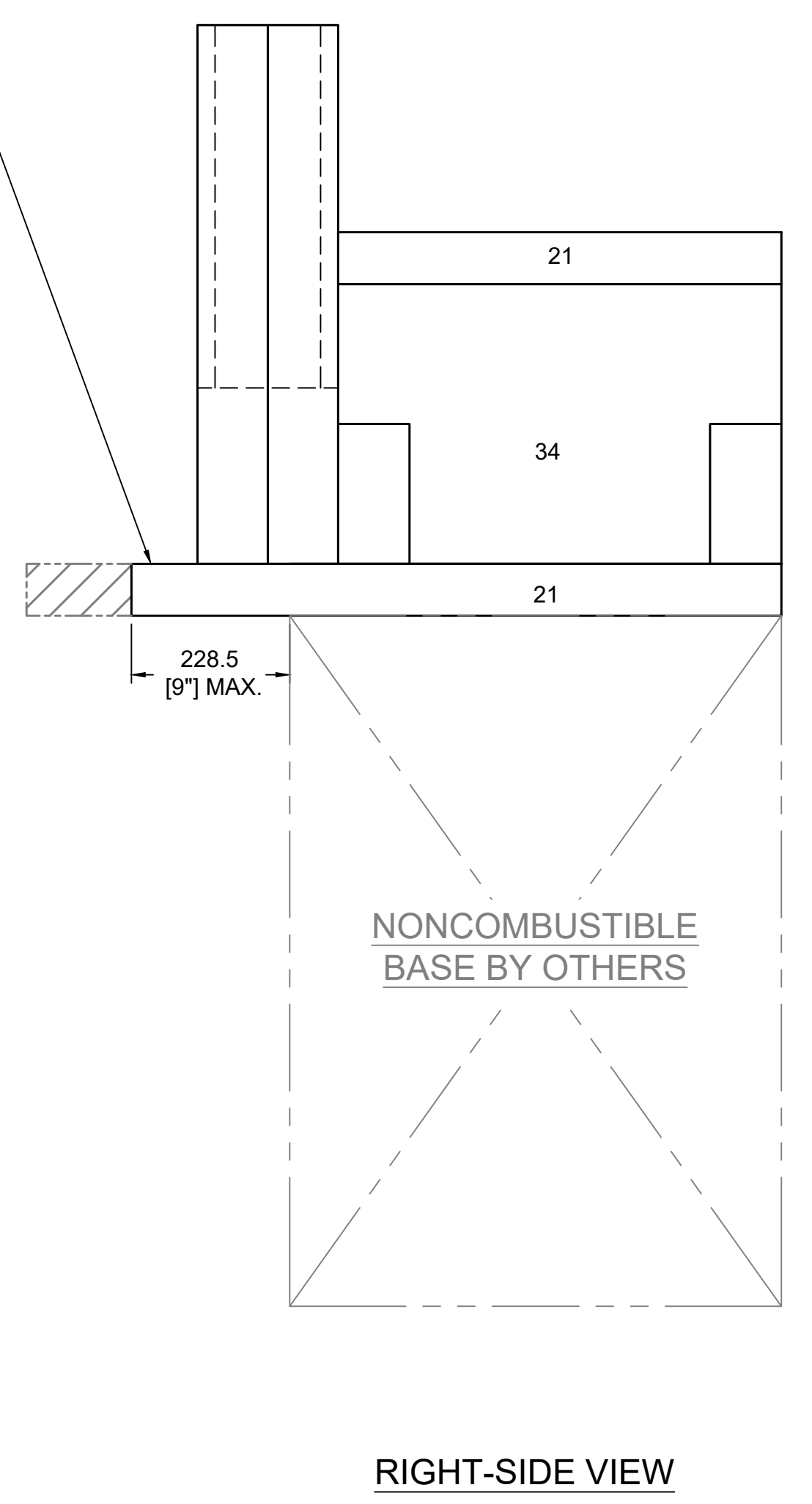
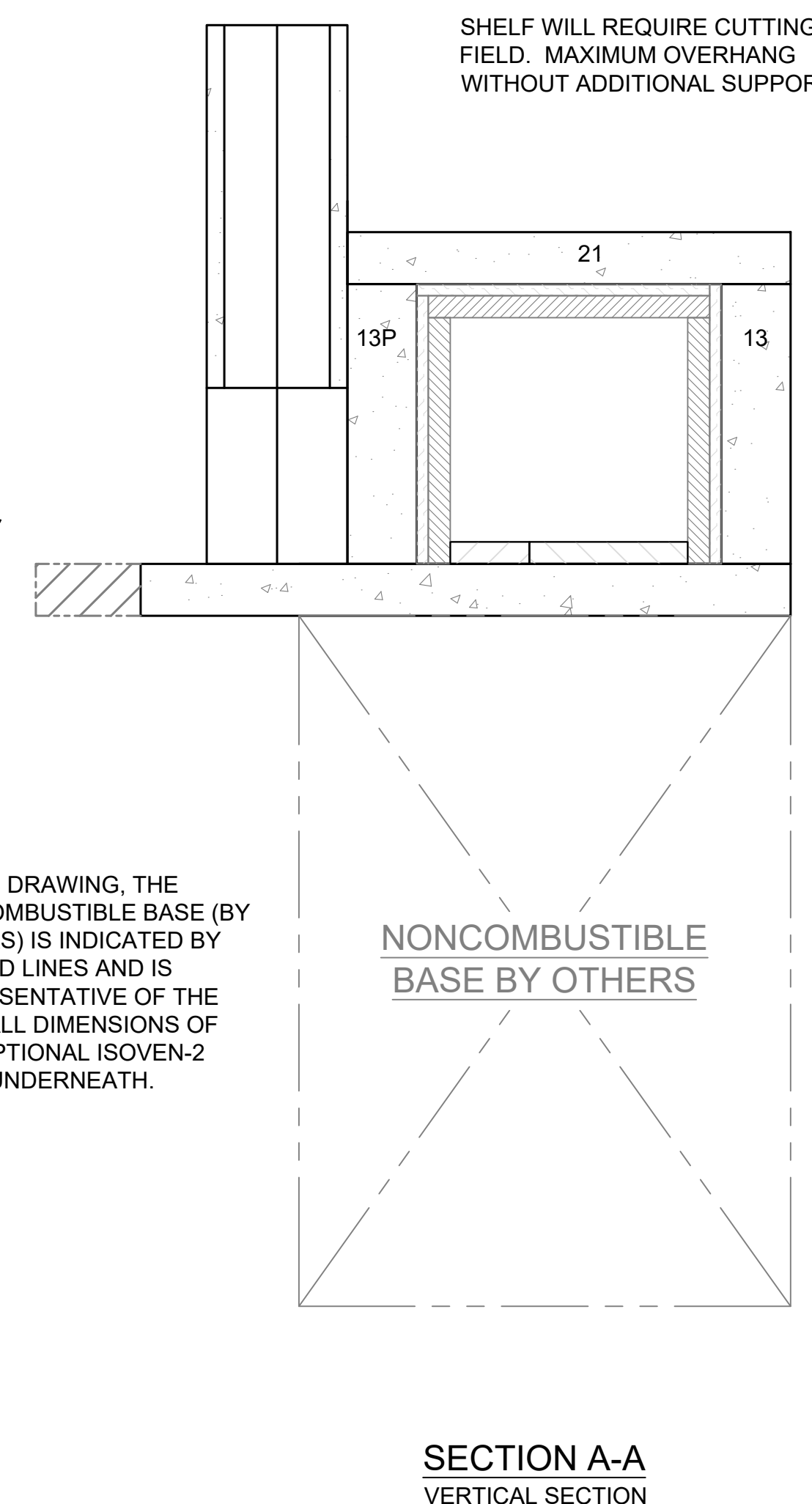
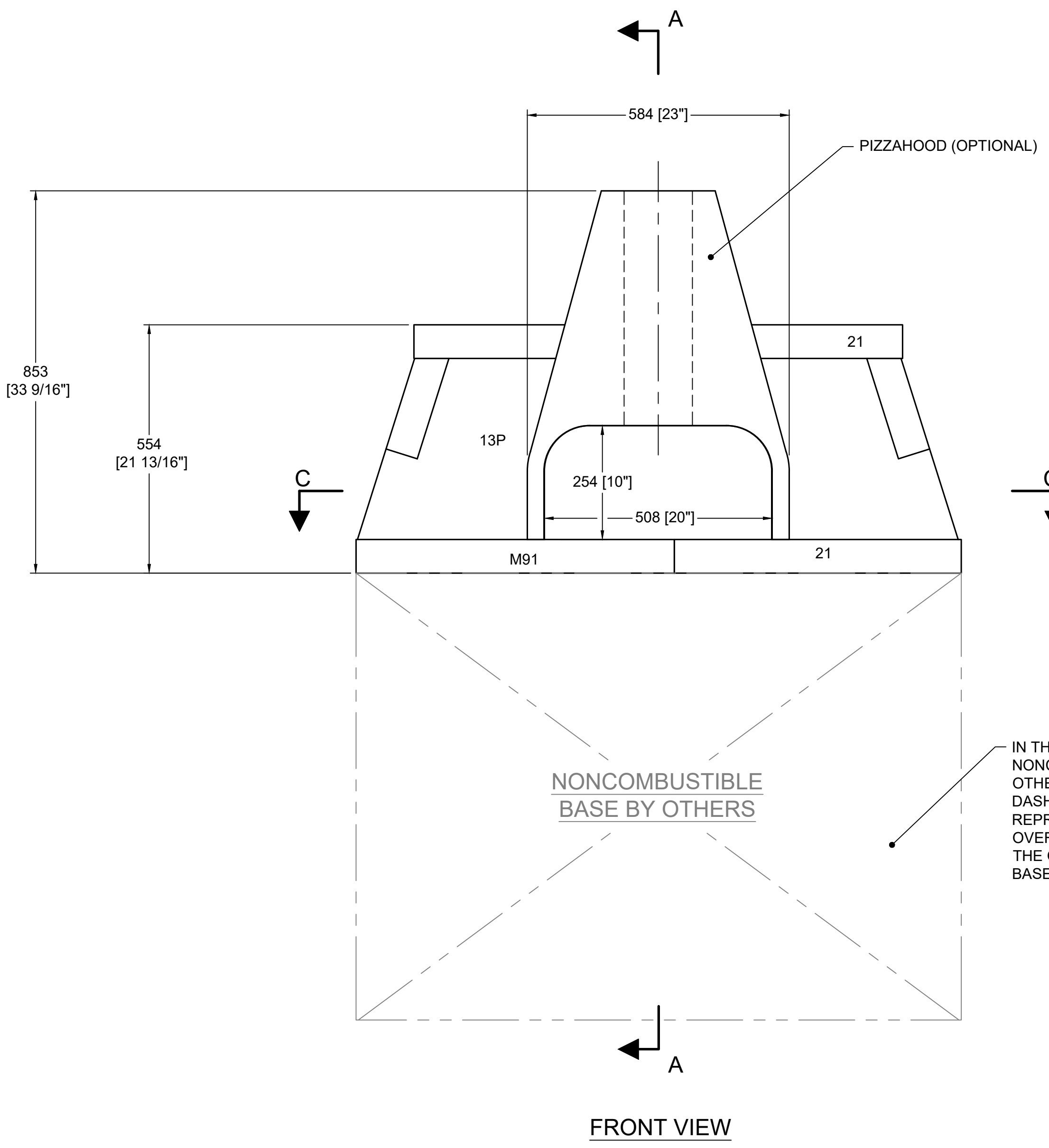
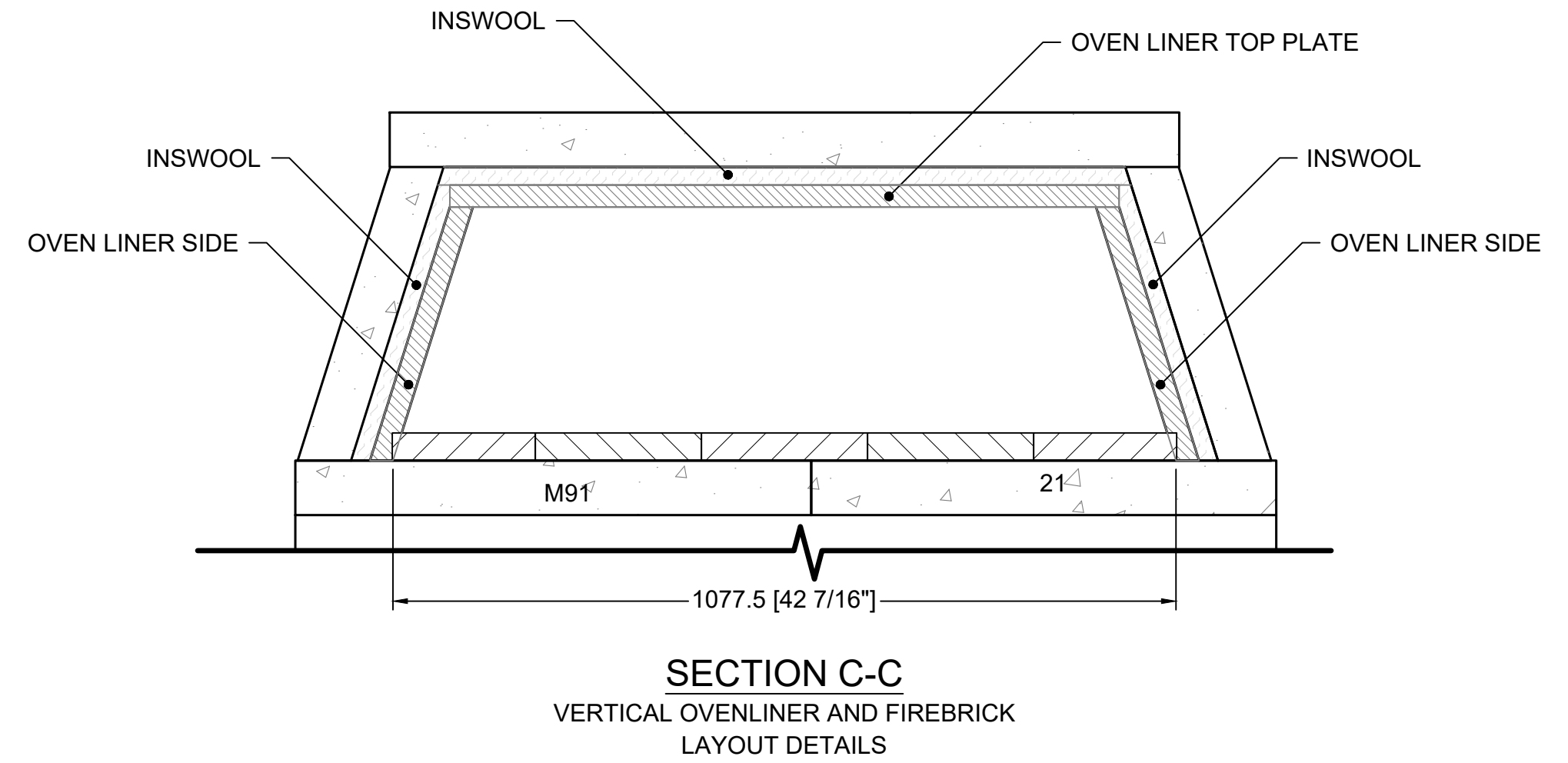
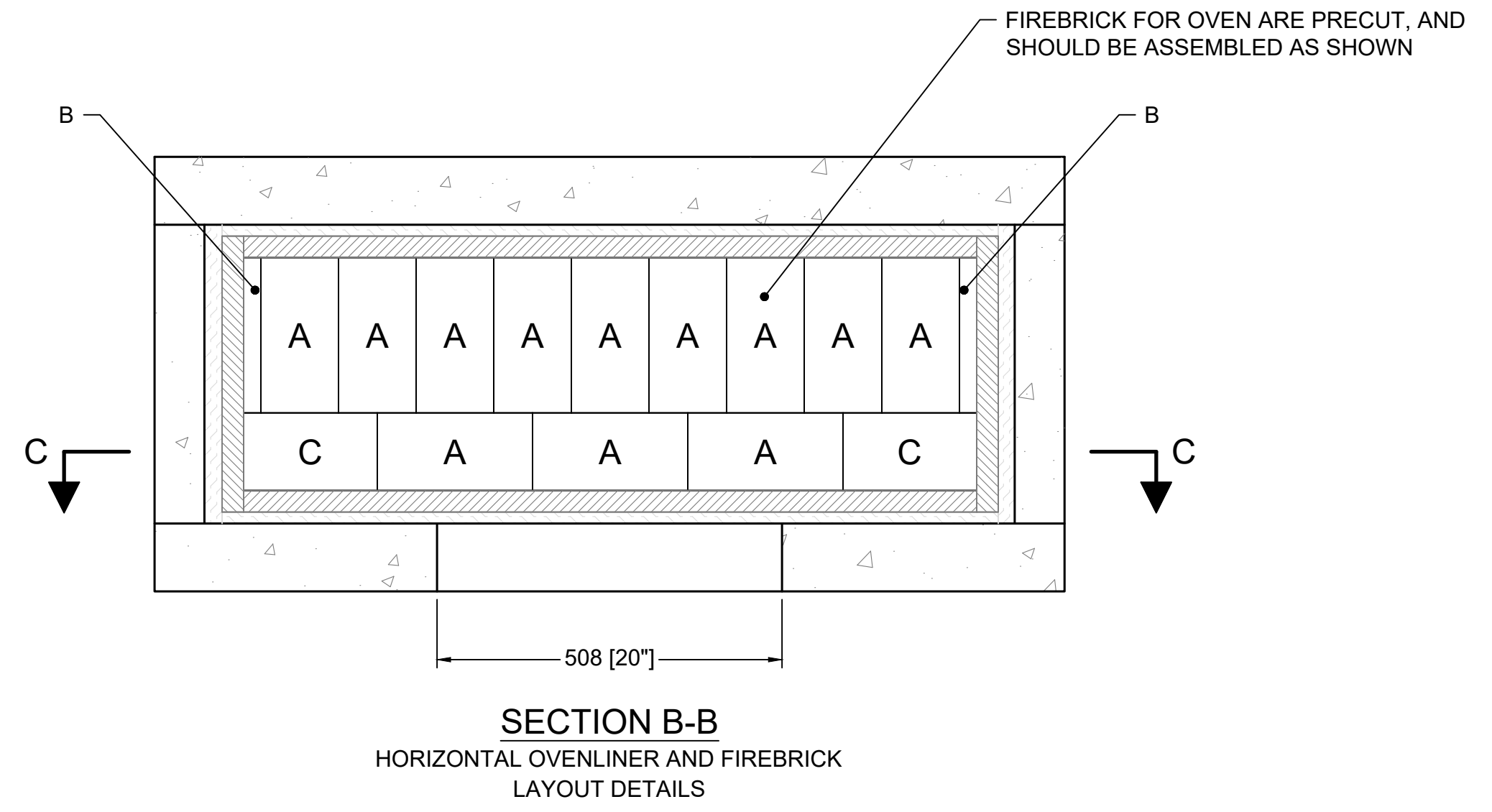


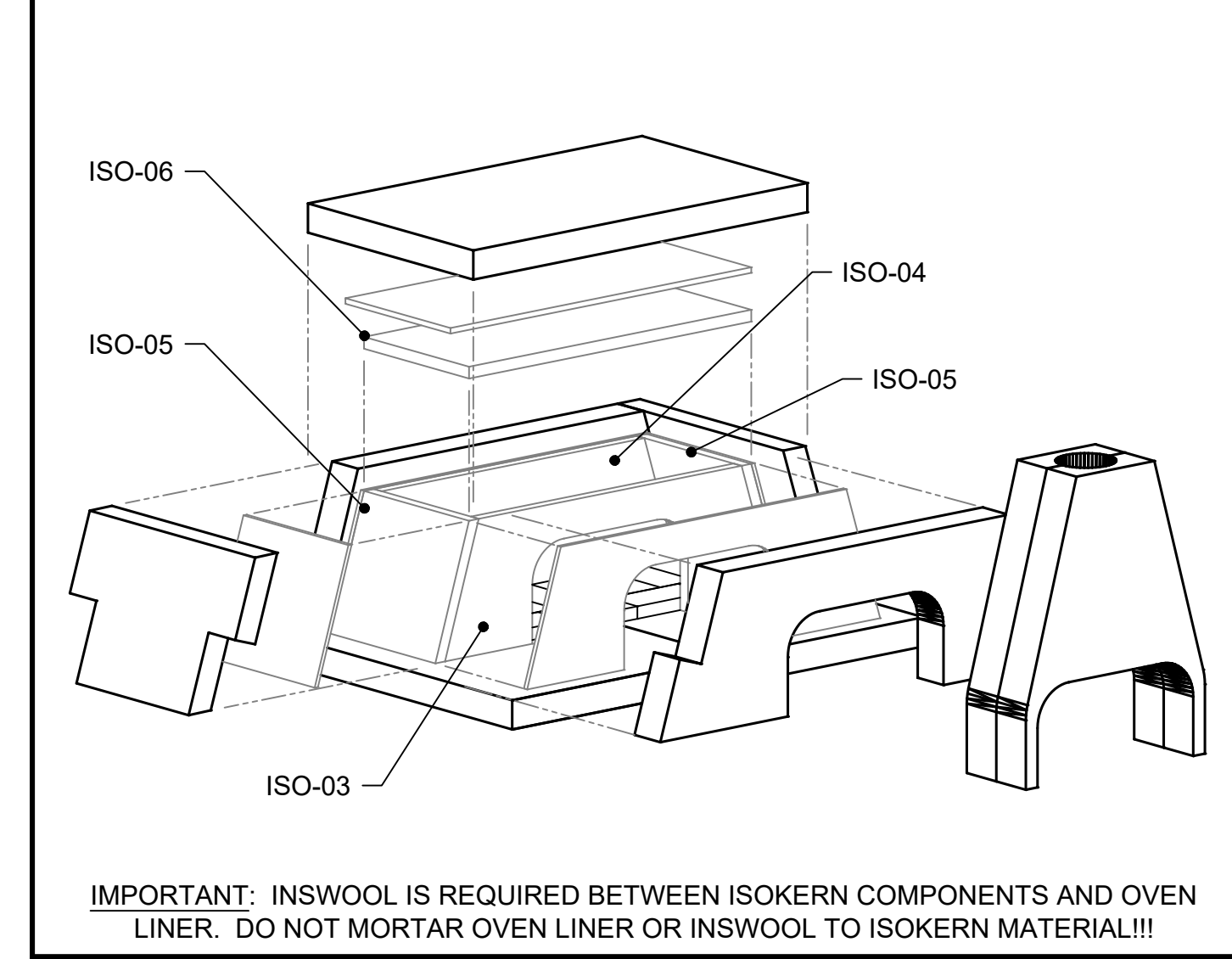
FIREBRICK DETAILS				
PART #	LENGTH	WIDTH	THCKNESS	QTY.
A	9 1/2"	4 1/2"	1 1/4"	12
B	9 1/2"	1"	1 1/4"	2
C	7 3/4"	5 1/2"	1 1/4"	2



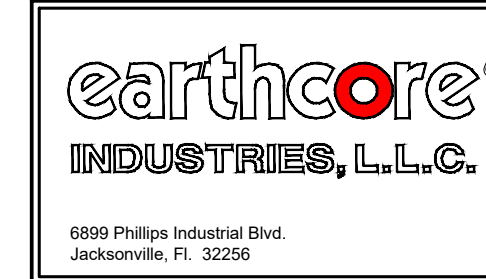
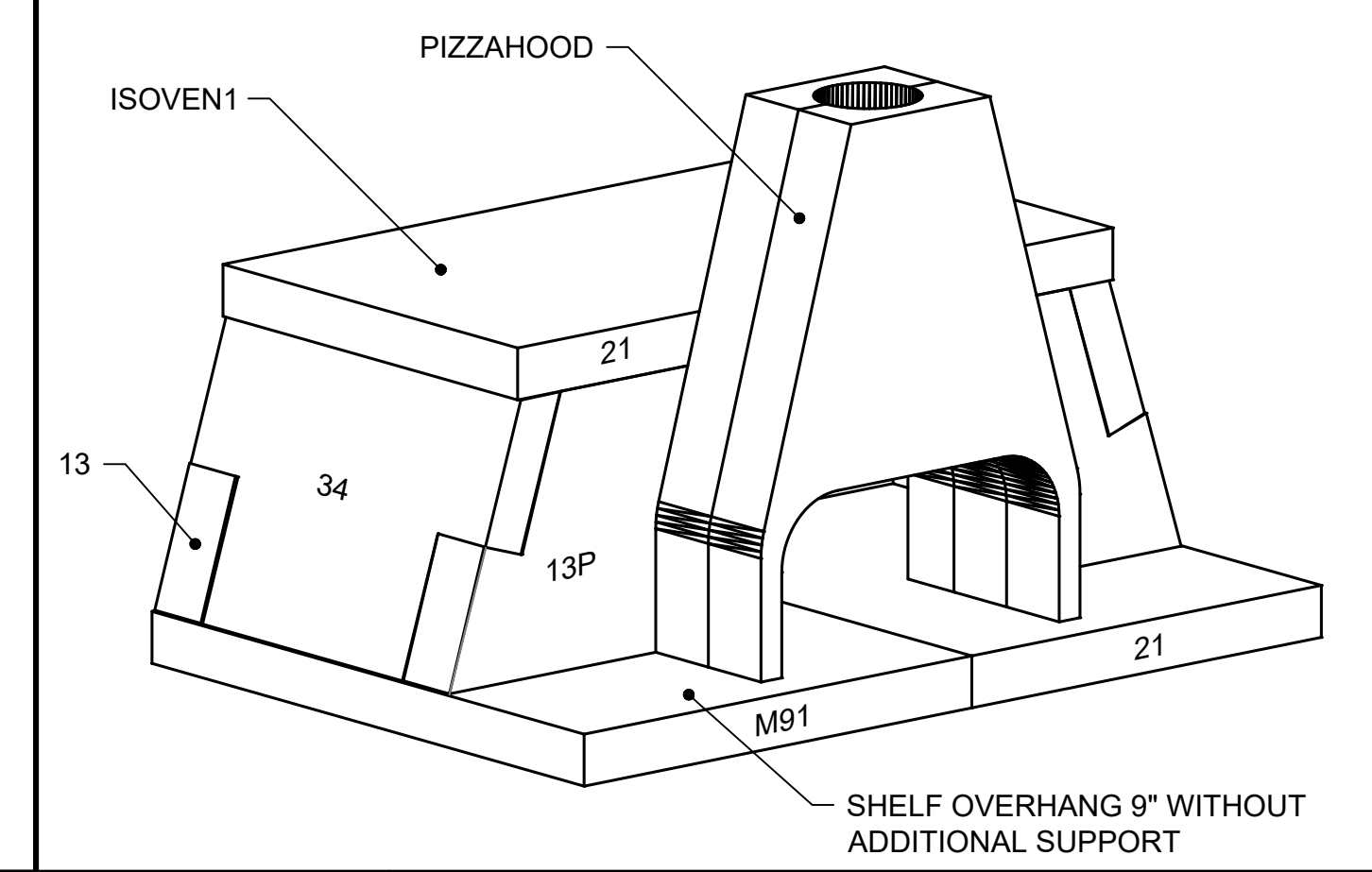
COMPONENT LIST		
PART #	DESCRIPTION	QTY.
13	SMOKE DOME (LARGE)	1
13P	ISO'ven SMOKE DOME	1
34	TOP SLOPING	2
21	BASE PLATE-36	2
M91	MAGNUM BASE PLATE-36	1
ISO-03	ISO'ven LINER; FRONT	1
ISO-04	ISO'ven LINER; REAR	1
ISO-05	ISO'ven LINER; SIDES	2
ISO-06	ISO'ven LINER; TOP	1
PIZZAHOOD	ISO'ven CHIMNEY HOOD	1
FIREBRICK KIT	ISO'ven FIREBRICK KIT	1
INSWOOL	INSWOOL CERAMIC FIBER BLANKET	N/A

- GENERAL NOTES**
1. THE ISO'VEN WOOD FIRED OVEN IS INTENDED TO BURN SOLID WOOD FUEL. A GAS STARTER OPTION IS AVAILABLE.
 2. THIS WOOD FIRED OVEN IS NOT DESIGNED TO SIT DIRECTLY ON A COMBUSTIBLE FLOOR SYSTEM.
 3. THIS WOOD FIRED OVEN IS NOT INTENDED FOR INDOOR USE. ISO'VEN WOOD FIRED OVENS ARE INTENDED FOR USE IN AN OUTDOOR SITUATION WHERE A TRADITIONAL, MASONRY PIZZA/BREAD OVEN WOULD BE UTILIZED.
 4. THE USE OF A VENTING SYSTEM IS OPTIONAL WITH THE ISO'VEN. THE ISO'VEN IS DESIGNED TO VENT FROM THE FRONT OF THE OVEN, HOWEVER, THE INSTALLATION OF A FRONT ANCHORED VENT IS ACCEPTABLE.
 5. OVER-FIRING, ABUSIVE BURNING OR MISTREATMENT WILL VOID ANY CLAIMS (EG. BURNING CONSTRUCTION DEBRIS OR OTHER HIGHLY FLAMMABLE MATERIAL; TOSSING, KICKING OR OTHERWISE FORCING LOGS INTO THE OVEN).
 6. ISO'VEN WOOD FIRED OVENS ARE UNIQUE OUTDOOR WOOD FIRED OVENS.
 7. ENSURE THAT THE ISO'VEN WOOD FIRED OVEN IS INSTALLED PER INSTALLATION MANUAL SPECIFICATIONS.
 8. DRAWINGS ARE FOR DESIGN PURPOSES ONLY AND ARE THE SOLE PROPERTY OF EARTH CORE INDUSTRIES. ANY REPRODUCTION OR UNAUTHORIZED USE IS STRICTLY PROHIBITED.
 9. EARTH CORE/ ISOKERN OR ANY DIVISION THEREOF SHALL NOT BE HELD LIABLE FOR ANY INCIDENTAL OR CONSEQUENTIAL DAMAGES OR EXPENSES ARISING OUT OF THE USE OF THE FIREPLACES OR CHIMNEY SYSTEMS.
 10. ALWAYS CHECK LOCAL BUILDING CODES GOVERNING FIREPLACES AND FIREPLACE INSTALLATIONS.

EXPLODED ASSEMBLY (N.T.S)



COMPLETED ASSEMBLY (N.T.S)



UNLESS OTHERWISE STATED, ALL DIMENSIONS ARE IN MILLIMETERS		PROJECT: ISO'VEN 1 W/ PIZZAHOOD	
THIRD ANGLE PROJECTION		DESCRIPTION: TABLE TOP PIZZA OVEN W/ CHIMNEY HOOD	
MATERIAL: E.C. PUMICE MIXTURE		DATE: 11/16/2020	
DRAWN: K.B.H		SCALE: 1-1/2"=1'-0"	
DATE: 11/16/2020		DRAWING #: ISOVEN-1	
APPROVED:		SHEET # 1 OF 1	